

# DATASHEET - SB 150-1 Ex SOUNDER / BEACON

## AUDIBLE & VISUAL SIGNALLING EQUIPMENT



- zone 1 & 2
- zone 21 & 22

### DESCRIPTION - SB 150-1 Ex SOUNDER / BEACON

This combined is certified for use in Atex/explosive atmosphere, zone 1 & 2 for gas and zone 21 & 22 for dust. It is dedicated for Oil & Gas, chemical, petrochemical, pharmacy industries, marine and Offshore applications. It's designed for corrosive environments and hazardous area.

This sounder, according to user control system, can be set with one tone among 59 prerecorded tones.

The beacon can be delivered with two different light sources:  
LED with steady, rotary, fixed or blinking led of different powers.  
Flashing with XENON tube of different powers.

Four flashing frequencies are selectable.

Optional it is possible to control the beacon and the sounder or separately via a telephone line.

Housing is moulded in Glass-Reinforced Polyester (GRP), dyed in the mass and protected by an UV resistant paint.

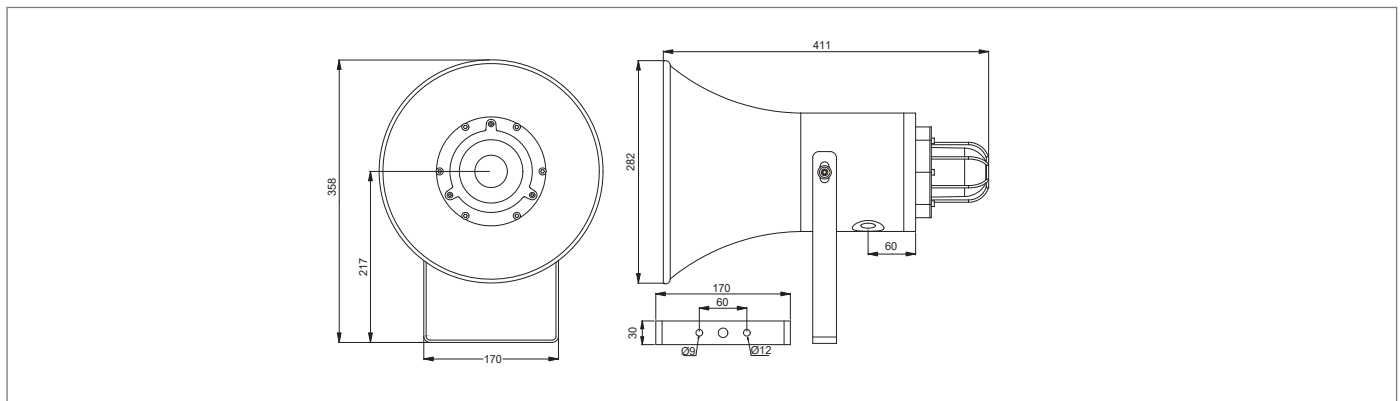
A complete range of accessories is available to customize a products.  
(see accessories annex)

### PRODUCT CODE CONFIGURATOR

LENS COLOUR	TYPE	POWER	VOLTAGE	DUTY LABEL	TAG LABEL	LENS GUARD	CABLE ENTRY	FINISH COLOUR	TELEPHONE INITIATED
■ R = RED	X = XENON	<b>05</b> LED: 5W XENON: 5J	<b>DC</b> 12 .. 48V DC	Y = YES	Y = YES	Y = YES	<b>A</b> = M20	■ RD = RED	Y = YES
■ A = AMBER		<b>10</b> LED: 10W XENON: 10J	<b>AC1</b> 12..48V AC				<b>B</b> = M25	■ YW = YELLOW	
■ B = BLUE		L = LED	<b>15</b> XENON: 15J				<b>AC</b> 100 .. 240V AC	<b>C</b> = 1/2" NPT	
■ G = GREEN	<b>21</b> XENON: 21J		<b>OR</b> (OTHER REQUEST)	<b>D</b> = 3/4" NPT	■ BL = BLACK				
■ C = CLEAR					□ OR = OTHER ON REQUEST	N = NO			

ADD THE CODES RELATED TO THE FEATURES REQUIRED TO SB150-1:


--	--	--	--	--	--	--	--	--	--



# DATASHEET - SB 150-1 Ex SOUNDER /BEACON

## AUDIBLE & VISUAL SIGNALLING EQUIPMENT

### TECHNICAL DATA

<b>MATERIAL</b>	<ul style="list-style-type: none"> <li>• <b>ENCLOSURE:</b> Glass-Reinforced Polyester (GRP)</li> <li>• <b>LENS:</b> Tempered borosilicate glass 3.3</li> <li>• <b>BRACKET:</b> Stainless steel 316L</li> </ul>																														
<b>COLOUR</b>	• <b>RED :</b> RAL 3001 - <b>YELLOW** :</b> RAL1018 - <b>BLUE** :</b> RAL5005 - <b>BLACK** :</b> RAL9005																														
<b>INGRESS PROTECTION</b>	• IP66/67																														
<b>AMBIENT TEMPERATURE FOR OPERATION</b>	• <b>T6</b> = - 40°C ~ + 55°C , <b>T5</b> = - 40°C ~ + 60°C, <b>T4</b> = - 40°C ~ + 70°C																														
<b>CERTIFICATION</b>	• <b>Nemko</b> 13 ATEX 1566X, IECEx NEM 13.0036X																														
<b>EX CODE</b>	•  II 2 GD Ex d IIC T4 ~ T6 Gb, Ex tb IIIC T135°C ~T85°C,																														
<b>STANDARD</b>	• EN / IEC 60079-0, EN / IEC 60079-1, EN / IEC 60079-31, EN 54-3																														
<b>ATEX AREA ZONE</b>	• <b>Gas zone:</b> 1 & 2 <b>Dust zone:</b> 21 & 22																														
<b>CANDELA LENS COLOR</b>	• <b>Red:</b> 0.15 • <b>Amber:</b> 0.51 • <b>Blue:</b> 0.12 • <b>Green:</b> 0.49 • <b>Clear:</b> 1																														
<b>LIGHT TYPE</b>	Flash tube (XENON) LED																														
<b>TRUE LIGHT INTENSITY</b>	<ul style="list-style-type: none"> <li>• <b>5 joules</b> = 109 Cd • <b>10 joules</b> = 293 Cd • <b>5 W</b> = 128 Cd • <b>10W</b> = 312 Cd</li> <li>• <b>15 joules</b> = 395 cd • <b>21 joules</b> = 424 Cd</li> </ul>																														
<b>PEAK LIGHT INTENSITY</b>	<ul style="list-style-type: none"> <li>• <b>5 joules</b> = 35970 Cd • <b>10 joules</b> = 66804 Cd</li> <li>• <b>15 joules</b> = 83345 Cd • <b>21 joules</b> = 95824 Cd</li> </ul>																														
<b>TIME LIFE</b>	• Emissions are reduced to 70% after 8 million flashes • >50 000 hours without luminosity decreasing																														
<b>BLINKING OR ROTARY FREQUENCY</b> (0 = steady status)	<ul style="list-style-type: none"> <li>• 60/80/120 times/min</li> <li>• 100/120/150 times/min</li> <li>• 120/150/180 times/min</li> <li>• 60/75/0 times/min</li> <li>• 60/75/100 times/min</li> <li>• 75/95/0 times/min</li> <li>• 75/95/120 times/min</li> </ul>																														
<b>CONSUMPTION BEACON</b>	<ul style="list-style-type: none"> <li>• <b>5 Joules</b> = 10W • <b>10 Joules</b> = 15W • <b>5W</b> • <b>10W</b></li> <li>• <b>15 Joules</b> = 20W • <b>21 Joules</b> = 25W</li> </ul>																														
<b>AMBIENT HUMIDITY*</b>	• until 95%*																														
<b>POWER SUPPLY</b>	• 12-48V DC • 12-48V AC (50/60hz) • 100-240V AC (50/60hz)																														
<b>RATED IMPULSE WITHSTAND VOLTAGE</b>	• 1kV following IEC 61000-4-5																														
<b>WORKING CURRENT LED</b>	<table border="1"> <thead> <tr> <th>Power</th> <th>12V DC</th> <th>24V DC</th> <th>48V DC</th> <th>110V AC</th> <th>220V AC</th> </tr> </thead> <tbody> <tr> <td>5W</td> <td>530 mA</td> <td>260 mA</td> <td>120 mA</td> <td>80 mA</td> <td>40 mA</td> </tr> <tr> <td>10W</td> <td>1100 mA</td> <td>530 mA</td> <td>240 mA</td> <td>160 mA</td> <td>80 mA</td> </tr> </tbody> </table>	Power	12V DC	24V DC	48V DC	110V AC	220V AC	5W	530 mA	260 mA	120 mA	80 mA	40 mA	10W	1100 mA	530 mA	240 mA	160 mA	80 mA												
Power	12V DC	24V DC	48V DC	110V AC	220V AC																										
5W	530 mA	260 mA	120 mA	80 mA	40 mA																										
10W	1100 mA	530 mA	240 mA	160 mA	80 mA																										
<b>WORKING CURRENT XENON</b>	<table border="1"> <thead> <tr> <th>Energy</th> <th>12V DC</th> <th>24V DC</th> <th>48V DC</th> <th>110V AC</th> <th>220V AC</th> </tr> </thead> <tbody> <tr> <td>5J</td> <td>460 mA</td> <td>280 mA</td> <td>140 mA</td> <td>60 mA</td> <td>35 mA</td> </tr> <tr> <td>10J</td> <td>850 mA</td> <td>490 mA</td> <td>250 mA</td> <td>100 mA</td> <td>60 mA</td> </tr> <tr> <td>15J</td> <td>1200 mA</td> <td>700 mA</td> <td>360 mA</td> <td>140 mA</td> <td>80 mA</td> </tr> <tr> <td>21J</td> <td>NA</td> <td>960 mA</td> <td>480 mA</td> <td>180 mA</td> <td>110 mA</td> </tr> </tbody> </table>	Energy	12V DC	24V DC	48V DC	110V AC	220V AC	5J	460 mA	280 mA	140 mA	60 mA	35 mA	10J	850 mA	490 mA	250 mA	100 mA	60 mA	15J	1200 mA	700 mA	360 mA	140 mA	80 mA	21J	NA	960 mA	480 mA	180 mA	110 mA
Energy	12V DC	24V DC	48V DC	110V AC	220V AC																										
5J	460 mA	280 mA	140 mA	60 mA	35 mA																										
10J	850 mA	490 mA	250 mA	100 mA	60 mA																										
15J	1200 mA	700 mA	360 mA	140 mA	80 mA																										
21J	NA	960 mA	480 mA	180 mA	110 mA																										
<b>CONSUMPTION SOUNDER</b>	• Adjustable from 5 to 25W (factory setting 20W)																														
<b>CURRENT CONSUMPTION</b>	• 0.5 to 1 A																														
<b>SIGNALLING TYPE</b>	• 59 tones siren. Specific customer tones can be recorded in factory																														
<b>NOISE LEVEL</b>	• Until 115 dB at 1m																														
<b>CABLES ENTRY</b>	• 2 x M20, M25**, 1/2" NPT**, 3/4" NPT** or other** (Specify)																														
<b>TERMINAL</b>	• From 22 to 14 AWG - from 0.50 mm² to 2.5 mm²																														
<b>NET WEIGHT</b>	• 8.0 Kg																														
<b>EXTERNAL TRIGGER**</b>	• 25Hz <f<50Hz 40V<u<100V Z = 2k Ohms																														

\* = without runoff - \*\* = optional - cable gland and blind plug not provided

### MEANING OF LENS COLOR USAGE IN THE INTERNATIONAL STANDARD (IEC 60073)

COLOR	MEANING	ACTION	EXAMPLE
■ RED	EMERGENT	Dangerous state Take immediat action	• Pressure/Temperature beyond the safe state - Shutdown due to the action of protective devices - Fire alarm - Equipment failure alarm
■ AMBER	ABNORMAL	Abnormal state, near the critical status	• Pressure/Temperature above the normal range - Protective device released - Toxic and harmful gases release alarm
■ GREEN	SAFE	Normal state	• Pressure/Temperature in normal state - Automatic control system is operating normally
■ BLUE	MANDATORY	Requires operator's action	• Emergency evacuation - Abandon rescue and escape - Abandon platform or abandon ship - Enter the command
■ CLEAR	NO SPECIAL SIGNIFICANCE	If uncertainty for other colors, clear is allowed to be used	• General information - Can't exactly use red, yellow, green or blue - Used for the implementation of command - Indicate the measured values